

### Specifications:

Lamp Type	LED	
Lamp Wattage	Red	120VAC, 60Hz, 0.031A, 4.12W
		277VAC, 60Hz, 0.013A, 3.2W
	Green	120VAC, 60Hz, 0.030A, 3.22W
		277VAC, 60Hz, 0.013A, 3.18W
Emergency Operation	90 minutes	

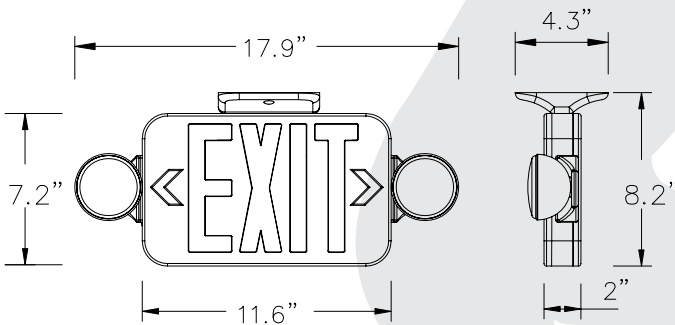
### Listings & Certifications:



### Model: FHEC30



### Mechanical Data:



### Standard Features:

- Push-to-test Switch
- LED Charge Indicator
- Ni-Cad Premium Battery
- Dual Voltage 120V/277V
- Universal Mount
- Long Life Energy Saving LED light source for both exit and emergency heads
- Field replaceable snap out/in chevron directional indicator.
- Snap-fit faceplate installs without use of tools
- Universal single face and double face (extra faceplate included)
- Fully adjustable glare free lighting heads
- Universal mounting pattern knockout in backplate for J-box mounting

### Ordering Information:

Base Model No.	Case Color	Letter Color
FHEC30	W - White	R - Red
	B - Black	G - Green

Build part number by adding Base Model No., one of each Case Color, and Letter Color.

Example: FHEC30-WR