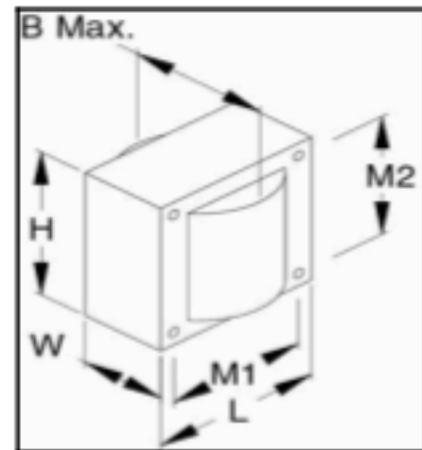
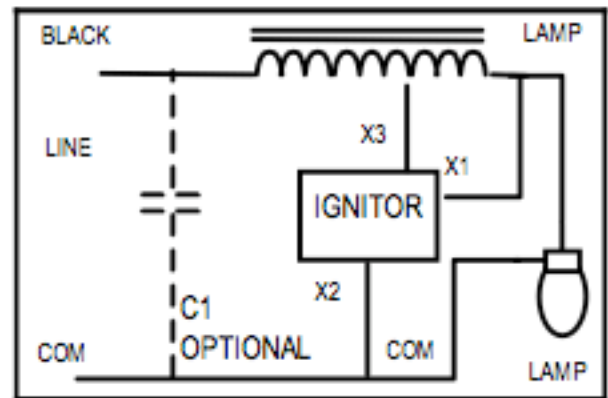


General Information

Lamp Type	35W HPS
ANSI Designation	S76
Line Voltage (V)	120
Regulation	5%
Frequency (Hz)	60
Recommended Fuse (A)	3/2
Circuit Type	R-NPF/ R-HPF
Insulation Class	180°C
Capacitor Value	14 MF (For HPF)
Capacitor Voltage Rating	120 V
Cap. Temp. Rating	90°C
Winding Materials	Cu
Lamp Starter	XG-01
Agency Certification	RU, cRU
Maximum Distance to Lamp	2 FT

Wiring Diagram



Electrical Characteristics

Line Volt (V)	Power Factor	Line Current (A)			Input Power (W)	Open Circuit Voltage (V)	Min Start Temp.	UL Temp. Code
		Operating	Open	Start				
120	Normal	0.83	N/A	1.12	40	120V	-40°C	A
120	High	0.36	0.637	0.54	40	120V	-40°C	A

Physical Characteristics

Overall Dimensions (Inches)				Mounting Holes (Inches)			Bracket Dimension (Inches)		Ballast Net Weight (KG)	Lead Length (Inches)
Length	Width	Height	B max.	Diameter	M1	M2	Length	Width		
2.64	0.61	2.25	1.58	0.213	2.19	1.75	-	-	0.485	12-14

Light Bulb Surplus

www.lightbulbsurplus.com

5481 Bryant Ave South * Sanford, FL 32772

P: 888.553.5655 F: 800.393.5698

sales@lightbulbsurplus.com