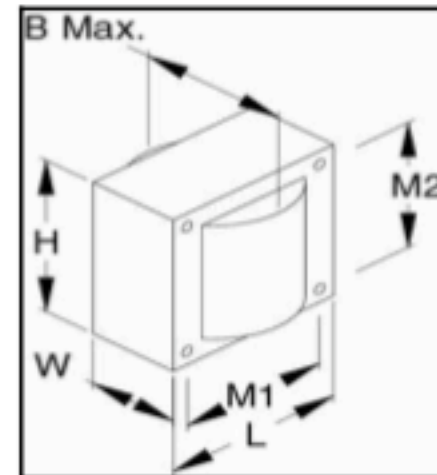
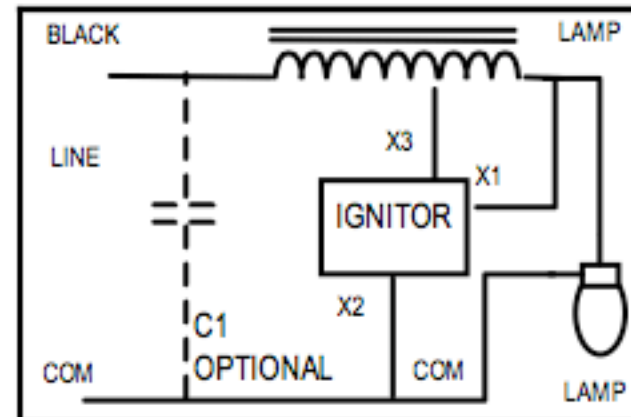


## General Information

Lamp Type	50W HPS
ANSI Designation	S68
Line Voltage (V)	120
Regulation	5%
Frequency (Hz)	60
Recommended Fuse (A)	8/5
Circuit Type	R-NPF/ R-HPF
Insulation Class	180°C
Capacitor Value	20 MF (Optional)
Capacitor Voltage Rating	120 V
Cap. Temp. Rating	90°C
Winding Materials	Cu
Lamp Starter	XG-01
Agency Certification	RU, cRU
Maximum Distance to Lamp	3 FT

## Wiring Diagram



## Electrical Characteristics

Line Volt (V)	Power Factor	Line Current (A)			Input Power (W)	Open Circuit Voltage (V)	Min Start Temp.	UL Temp. Code
		Operating	Open	Start				
120	Normal	1.18	N/A	1.12	60	120V	-40°C	A
120	High	0.536	0.90	0.51	60	120V	-40°C	A

## Physical Characteristics

Overall Dimensions (Inches)				Mounting Holes (Inches)			Bracket Dimension (Inches)		Ballast Net Weight (KG)	Lead Length (Inches)
Length	Width	Height	B max.	Diameter	M1	M2	Length	Width		
2.25	2.64	2.25	1.81	0.213	2.19	1.75	-	-	0.65	12-14



Lightbulbsurplus.com  
Volume Discount Bulb Store